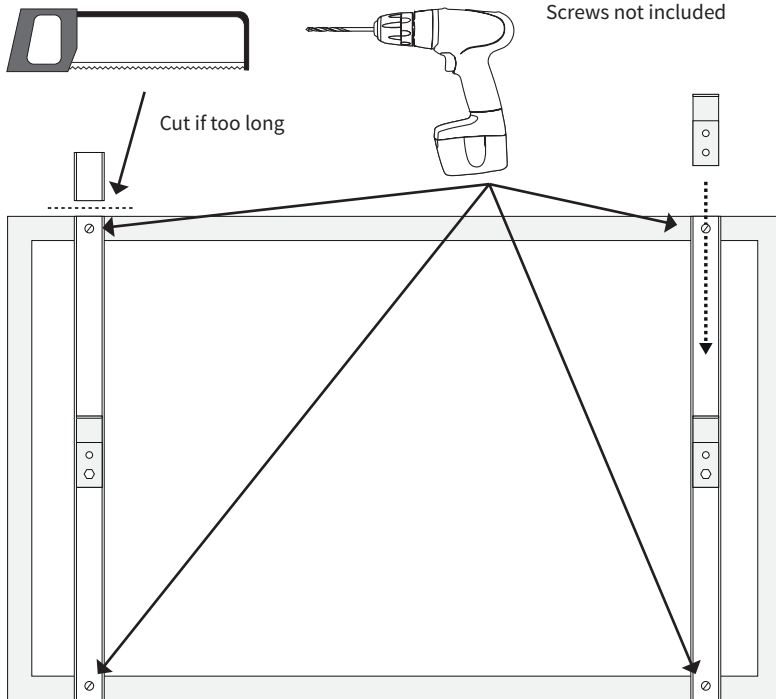




Adjustable solar panel mount - Mounting instructions

Boatsystem Group AB, Traneredsvägen 112, 426 53 Västra Frölunda, Sweden
Phone: +46 (0)31-69 03 80, www.boatsystemgroup.com, info@boatsystemgroup.com



Important installation instructions:

Always mount the adjustable fitting onto the tube before tightening the lever. The tube provides the necessary counter-support for the fitting.

Tightening the lever without the fitting being mounted on a tube can cause uneven load on the components. This may lead to deformation of the fitting and increased stress on the threaded rod and aluminium parts, which can affect function and durability.

Ensure that all fittings are correctly positioned on the tube before applying final tightening.

